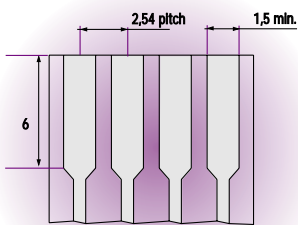
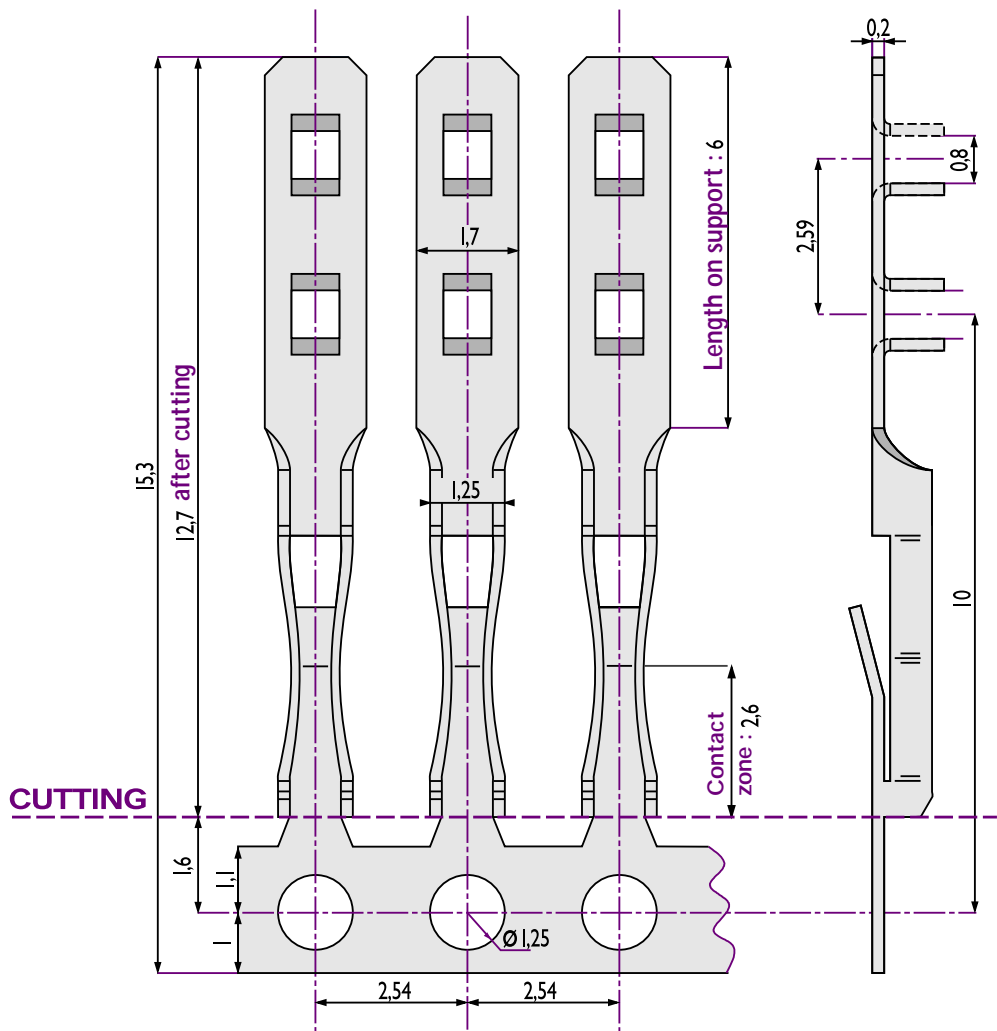
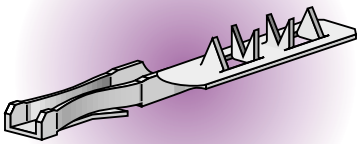


Female contacts

LOW INSERTION FORCE REF. 11506

- Au = 1.5 N max (5.5 oz)
- Sn = 3 N max (11 oz)

Number of mating cycles = 500
Number of mating cycles = 50



Contact lay out

REF.	PLATING	REEL
11506-12	Tin plated	35 000 contacts
11506-32	Selective gold plated	35 000 contacts
OTHER PLATINGS ON REQUEST		

Dimensions in mm